

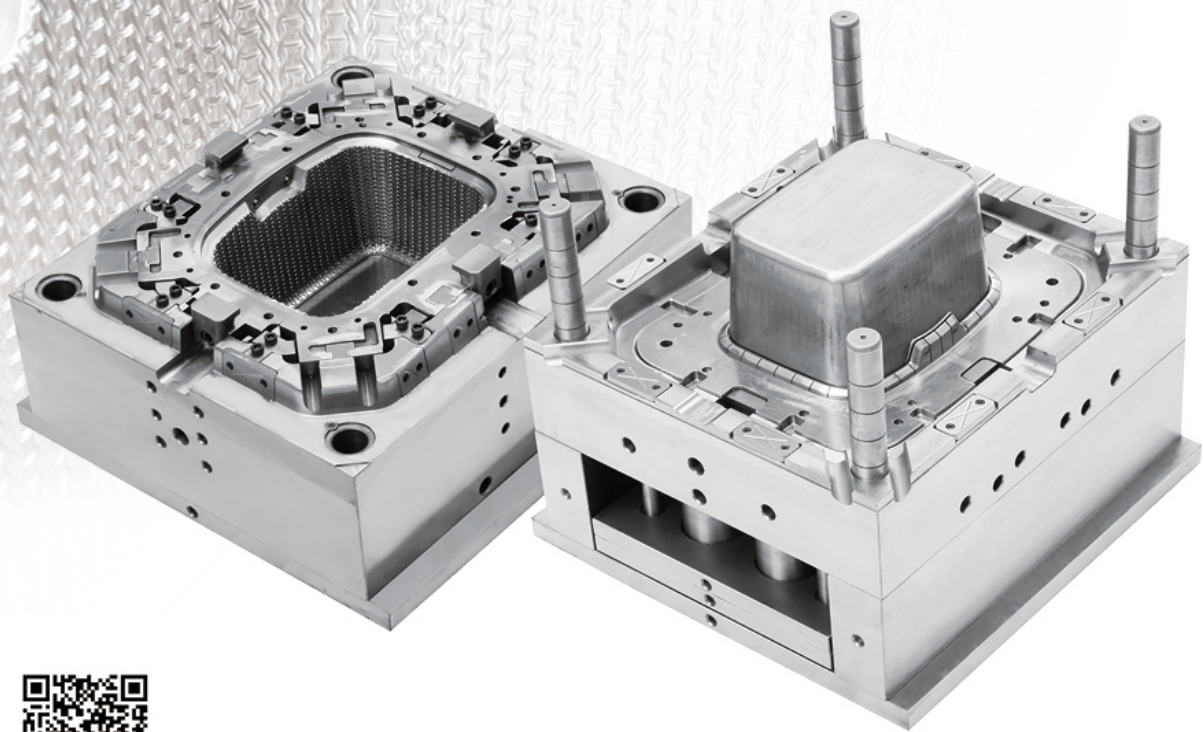
SHINE

中国·轩汉模具

20 中国模具服务一站式供应商

Years Professional Experience in Plastic Injection Mould

HIGH QUALITY · BEST SERVICE · TIMELY DELIVERY



TAIZHOU HUANGYAN SHINE MOULD CO.,LTD
ZHEJIANG XUANHAN TECHNOLOGY CO.,LTD

地址：浙江省台州市黄岩区新前模具新城乐华路 193 号
Add: No.193 Lehua Road, New Mould Town, Huangyan, Taizhou, Zhejiang, China.

www.shinemold.com

Chair series



Table series



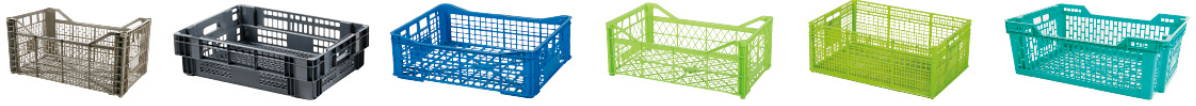
Stool series



Laundry Basket series



Crate series



Dust Bin series



Living Box series



Storage series



Bucket series



Children series



Kitchen series



Flowerpot series



Combination

